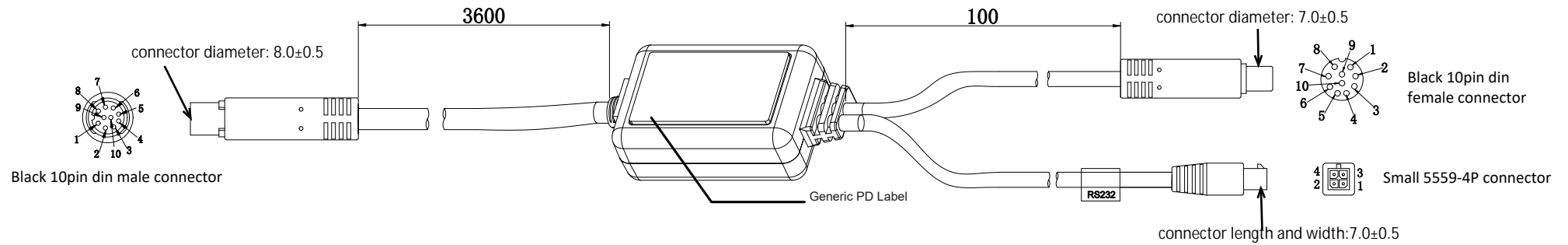


Revision Notes.				
APA:	Drawn:	Checked:	Approved:	Date:



10 pin din male connector

- 10. DC+ Red+Red White
- 9. DC- Black + Black White
- 8. TX White
- 7. RX Brown
- 6. SIN1 Purple
- 5. SIN2 Blue
- 4. 3.3V Grey
- 3. CAN-H Green
- 2. CAN-L Yellow
- 1. ACC Orange

10 pin din female connector

- 10. GND Black+Black White
- 3. 24V+ Red+Red White
- 5. SIN1 Purple
- 7. SIN2 Brown
- 2. CAN-H Green
- 1. CAN-L Yellow
- 8. SPEED A Blue
- 9. SPEED B Grey
- 6. ACC Orange
- 4. OBD-CHK White

Small 5559-4P

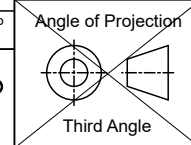
- 1. +12V Pink
- 2. 232RX Yellow
- 3. 232TX Green
- 4. GND Black

NOTES:

PROPRIETARY NOTICE
 THIS DESIGN AND TECHNICAL INFORMATION APPEARING ON THIS DRAWING IS THE PROPERTY OF BRIGADE ELECTRONICS, AND IS DISCLOSED IN CONFIDENCE. IT IS NOT TO BE COPIED, REPRODUCED, REVEALED TO OR EXPROPRIATED BY OTHERS, EITHER IN WHOLE OR IN PART WITHOUT THE EXPRESS WRITTEN CONSENT OF BRIGADE ELECTRONICS.



Assembly PI Approval P.Bu	Approved by S.Davis		Checked by		Drawn by R.TIMMS	
	Units mm	Scale N/A	Released 23.5.23		Assembly Ref -	
Status Released			DC-204-AI-PB-01			
Part No 7482			BE-004807-00-23			



Sheet No
1 of 1